



D. W. Engineers

Custom Engineered Coating & Lamination Machines



Applications



Robust Construction

Built for continuous industrial operations.



High Precision Output

Consistent Coating & Lamination quality.



Customised Engineering

Machines tailored to your process needs.

Introduction

D. W. Engineers is a trusted global partner in **advanced coating and lamination technology**, delivering **custom-built machines** that redefine performance, precision, and productivity. With over **two decades of excellence**, the company has empowered manufacturers across **packaging, pharmaceuticals, and specialty industries** with innovative coating solutions.

Driven by visionary leadership and deep domain expertise, D W Engineers transforms complex coating challenges into **reliable, future-ready solutions**. Every machine is engineered with a focus on **quality, efficiency, and long-term value**, ensuring measurable results for customers worldwide.

Headquartered near **Nashik, Maharashtra, India**, D. W. Engineers serves as a **one-stop destination for diverse coating applications**. With successful installations across **multinational companies** and a growing international footprint, the company is committed to **expanding globally while setting new benchmarks in coating technology**.



Mission

To deliver high quality, streamlined technology and analytical priced special purpose converting machines.



Vision

Become a pioneer in manufacturing of high precision special purpose machines for packaging industries, coating industries and pharmaceutical industries.



Values

We value trust, quality, teamwork, commitment, accuracy, and customer satisfaction above all.

Solutions Offered

PHARMA COATING & LAMINATION

- **Foil Coating**
- **Sellac Wash**
- **VMCH Coating**
- **PVDC Coating**
- **Aluminium Foil (Alu-Alu) Coating**
- **Medical / Surgical Tape**

TAPES COATING & LAMINATION

- **BOPP Tape**
- **Mica Coating**
- **Double Side Tape**
- **PSA Tape**
- **Glass Cloth Tape**
- **High Voltage Tape**
- **Electrical Insulation Tape**
- **Medical / Surgical Tape**
- **Glass Cloth Tape**

PAPER COATING & LAMINATION

- **Surface Protection**
- **Silicon Coating**
- **Lacquer Coating**
- **Vinyl Coating**

BARRIER COATING

- **BOPP Coating**
- **Polyster Coating**
- **Nylon Coating**
- **Paper Coating**
- **Cup Stock**

HOTMELT ADHESIVE COATING

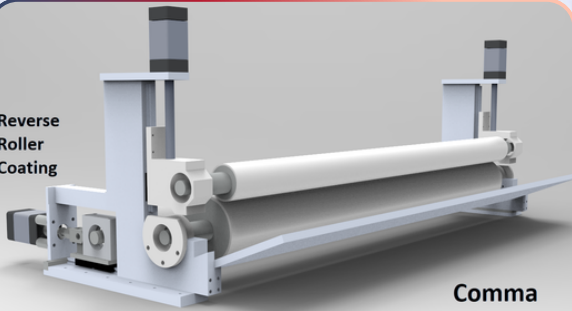
- **Surgical Gown**
- **Hotmelt Tape**
- **Spray Coating**

DIE COATING

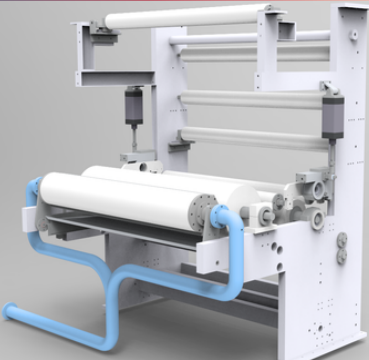
- **T Die Coating**
- **Slot Die Coating**

Key Parameters

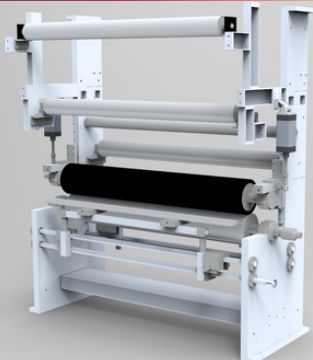
Reverse
Roller
Coating



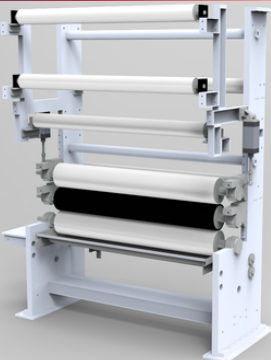
Comma
Coating



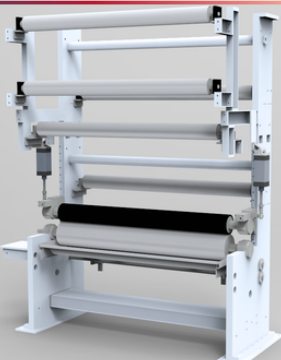
Air Knife
Coating



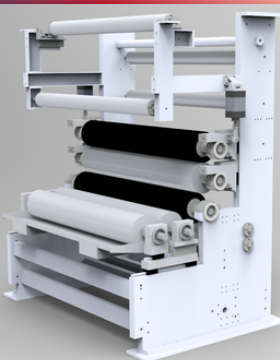
PVDC
Coating



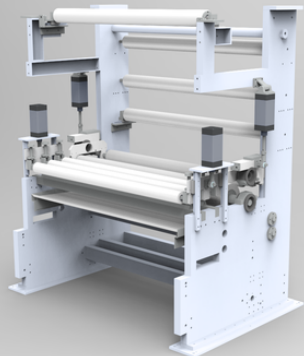
Three Roller
Coating



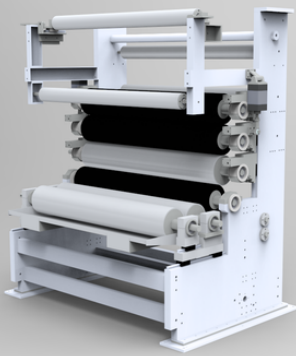
Gravure
Coating



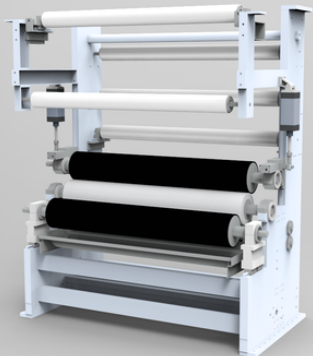
Five Roller
Coating



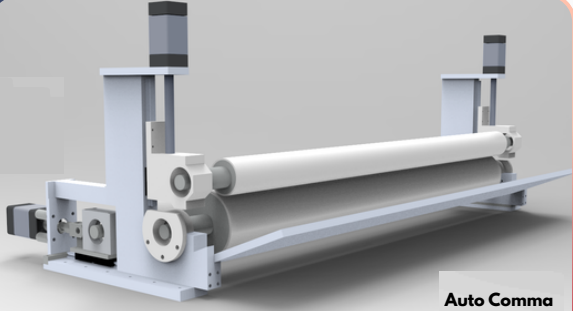
Mayer Bar
Coating



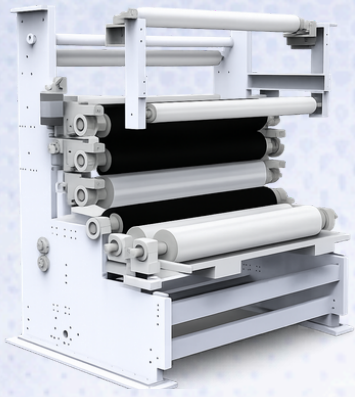
Six Roller
Coating



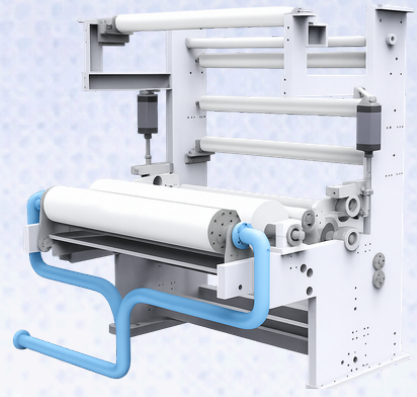
Flexo Coating



Auto Comma
Coater



Coating & Lamination Machine Specifications



Machine Width :

600 mm to 1600 mm



Coating Method :

Gravure Coating, Kiss Coating, Mayer Bar, Air Knife Coating, 3 Roll, 5 Roll, 6 Roll, Comma Coating, Auto Comma Coating, Reverse Comma Coating, PVDC Coating



Coating Thickness :

5 to 300 Microns



Machine Speed :

Upto 400 m/min



Substrate Compatibility :

Films, Foils, Papers, Fabrics, BOPP, PVC



Drying System :

Hot Air, IR, UV, Floatation Dryer or Combination



Precision Rewind & Unwind :

Turret Rewinder, Turret Unwinder, Trolley type, Surface winding



Advanced Control System :

PLC & HMI Touchscreen Inteface

Excellence Showcase - Built To Perform



D. W. Engineers



Trusted by Industry Leaders :



Bilcare
Research



ACG



PREM INDUSTRIES
INNOVATION IN ACTION



Garware Polyester Limited



amcor



Welspun LIVING



SURYA TEXTECH



D. W. Engineers

Coating & Lamination
Machinery Specialist

Reg. Office :

D. W. Engineers
Plot No. 152, STICE, Musalgaon, Sinnar,
Nashik - 422 112.

Factory Address :

D. W. Engineers
Plot No. B-32, Gulwanch MIDC, Sinnar - 422112.

Office : 02551-295221 | GSTIN : 27AAPPW2218M1Z1



info@dwengineers.in www.dwengineers.in

+91 9371272209